

BODY SHOWER OVER DOOR

DK / Installationsvejledning

UK / Installation Manual

DE / Installationsanleitung

NL / Installatiehandleiding

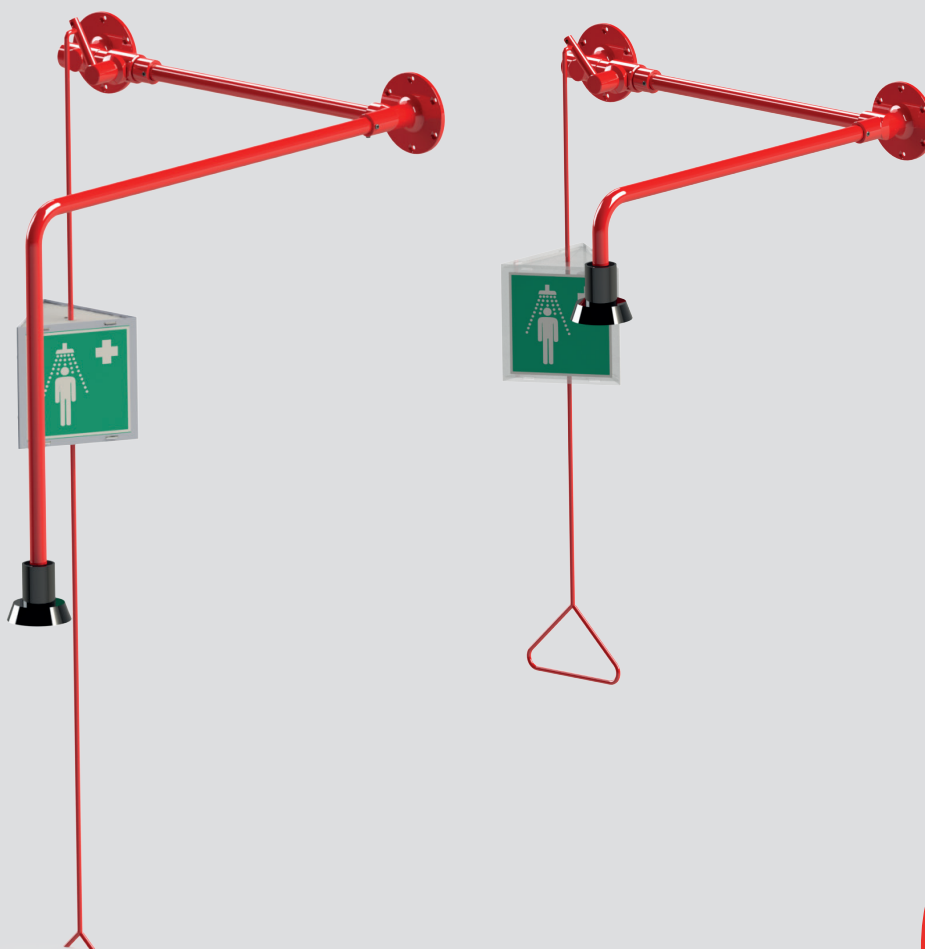
FR / Guide de configuration

ES / Guía de configuración

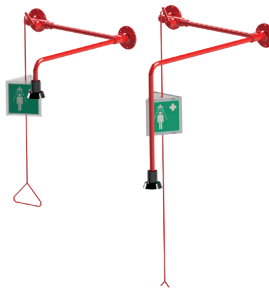
JP / セットアップガイド



For more information please refer to 94G0053

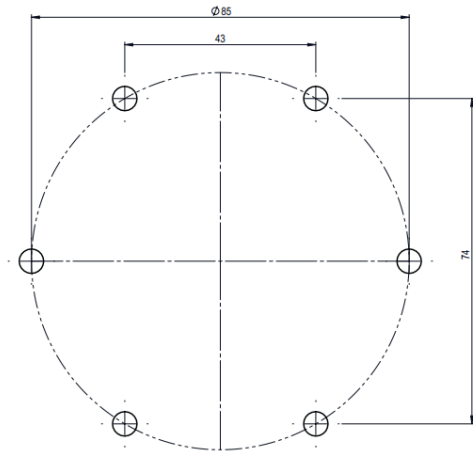


BODY SHOWER OVER DOOR

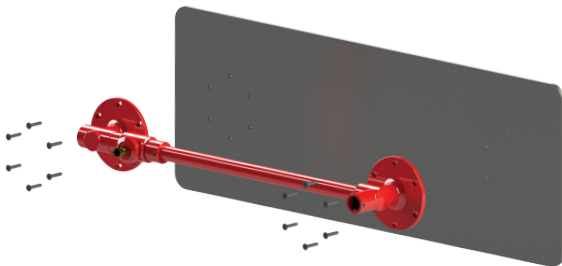


Vægmontage
Wall mounting
Wandmontage
Muurmontage
Montage mural
Montaje en pared
ウォールマウント

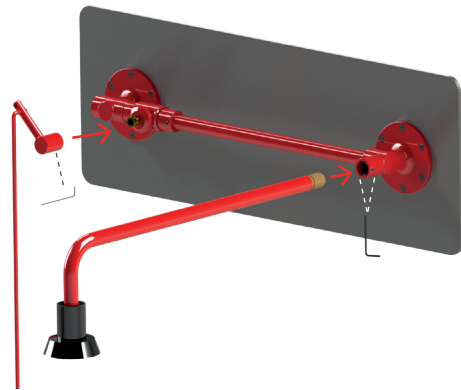
1



2



3



OPERATION



BROEN-LAB develops, manufactures and sells Laboratory Fittings, Emergency Shower Systems and Eye Wash Systems into a broad spectrum of laboratories and industrial locations; sectors include Pharmaceutical, Food & Beverage and Academia. Our expertise and product quality ensure optimal solutions compliant to all relevant international norms setting new standards in risk mitigation in modern research and development facilities.

BROEN-LAB offer solutions that ensure the functionality, compliance, hygiene, durability and safety are of the highest priority. For over 75 years our products have been integrated into a wide variety of workplaces, laboratories, hospitals and industrial locations, with features that are assessed and designed to be flexible, durable and compliant offering a broad range of options tailored to each location. This inherent design integrity provides confidence in the solution adopted wherever in the world these are applied.

BROEN-LAB is a collaboration partner in the design and layout of your next laboratory and its integrated safety solutions.

BROEN-LAB

www.BROEN-LAB.com

HEAD OFFICE

BROEN-LAB A/S
Drejervaenget 2
5610 Assens
Tel. +45 6376 6376
lab@broen-lab.com

INTERNATIONAL OFFICES

BROEN-LAB Inc.
15 Constitution Drive
Suite 122
Bedford, NH 03110
USA
Tel. +1 315 203 2162
lab@broen-lab.com

BROEN-LAB Singapore Pte. Ltd.
25 International Business Park
#04-60A German Centre
Singapore 609916
Tel. +65 6298 0662
lab@broen-lab.com

BROEN-LAB GmbH
Tel. +45 6376 6376
lab@broen-lab.com

BROEN-LAB Sverige AB
Tel. +45 6376 6376
lab@broen-lab.com



BROEN-LAB A/S ISO 9001 CERTIFICATION In September 1991 BROEN-LAB A/S was certified according to ISO 9001 as one of the first Danish companies. The certification was carried out by Bureau Veritas, Denmark for our Danish site in Assens. The quality management system of BROEN-LAB A/S now complies with detailed specifications laid down by the internationally acknowledged EN ISO 9001:2015. This certification will further contribute to reputation for quality and reliability of BROEN-LAB A/S.